

FIG.1

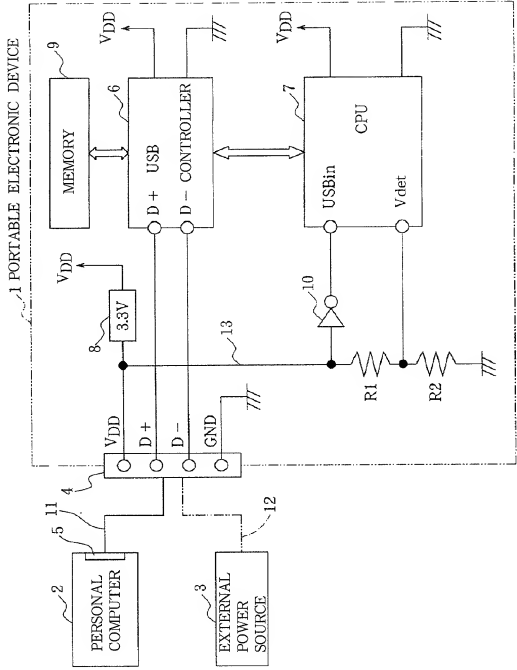
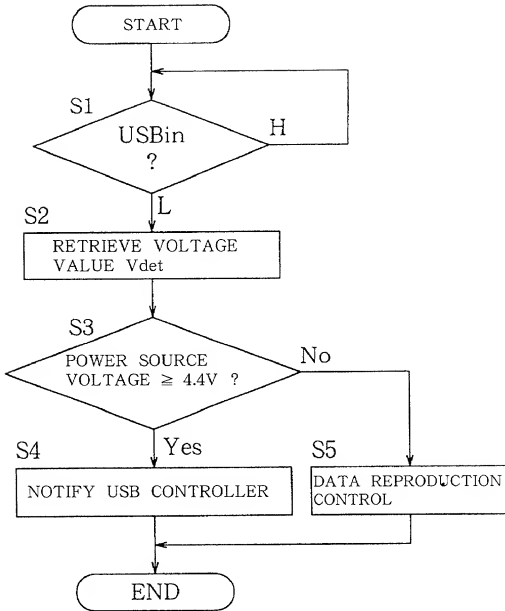


FIG.2



09741018.122100